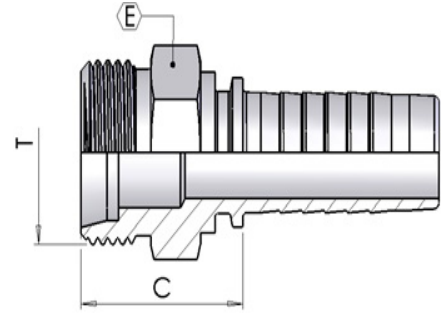


## SWAGETAILED

### SS78

MET HEAVY MALE STRAIGHT  
METRIC 24° CONE HEAVY MALE STRAIGHT

- ISO 12151-5



Part Number	Metric Male Thread (T)	Hose I.D (Inches)	Hose I.D (mm)	Dash size	Tube Size	Hex A/F (E)	Cutoff - C
SS78-M1604	M16-1.5	1/4	6.4	4	8	17	26.5
SS78-M1806	M18-1.5	3/8	9.5	6	10	19	29.5
SS78-M2006	M20-1.5	3/8	9.5	6	12	22	29.5
SS78-M2206	M22-1.5	3/8	9.5	6	14	24	29.5
SS78-M2408	M24-1.5	1/2	12.7	8	16	27	29.5
SS78-M3012	M30-2	3/4	19	12	20	32	39
SS78-M3616	M36-2	1	25.4	16	25	41	47