

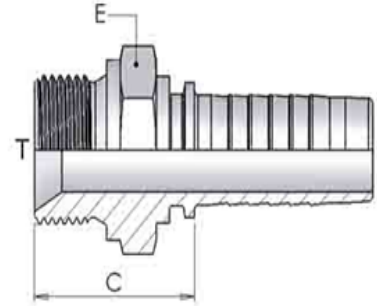
## SWAGETAILED

### SS12

BSPP MALE STRAIGHT

BSP 60° CONE MALE STRAIGHT

- ISO 12151-6



Part Number	BSPP Male Thread (T)	Hose I.D (Inches)	Hose I.D (mm)	Dash size	Hex A/F (E)	Cutoff - C
SS12-0404	1/4-19	1/4	6.4	4	19	26.5
SS12-0606	3/8-19	3/8	9.5	6	22	29.5
SS12-0808	1/2-14	1/2	12.7	8	27	29.5
SS12-1212	3/4-14	3/4	19	12	32	35.5