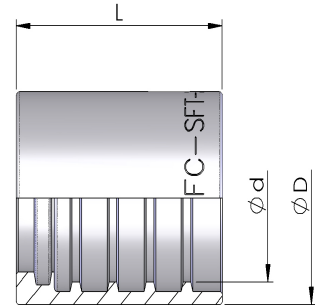


## THERMOPLASTIC FERRULES

### SFT

THERMOPLASTIC HOSE FERRULE  
NON-SKIVE SWAGE FERRULE FOR  
THERMOPLASTIC HOSE



Part Number	Hose I.D inches	Hose I.D (mm)	Dash size	Length - L (mm)	I.D - d (mm)	O.D - D (mm)
SFT-03	3/16	4.8	3	26	11.5	15
SFT-04	1/4	6.3	4	29	12.9	17
SFT-05	5/16	7.9	5	30.5	15.8	20
SFT-06	3/8	9.5	6	32	17.5	22
SFT-08	1/2	12.7	8	32.5	21.3	27
SCNT-10	5/8	15.9	10	36	27.3	34
SFT-12	3/4	19.0	12	41	28.2	34.5