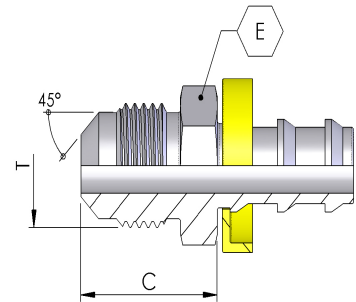


SAE

P09

SAE MALE STRAIGHT

SAE 45° FLARE MALE STRAIGHT



Part Number	SAE Male Thread (T)	Hose I.D inches	Hose I.D (mm)	Dash size	Hex A/F (E)	Cutoff - C
P09-1006	5/8 - 18	3/8	9.5	6	17	22