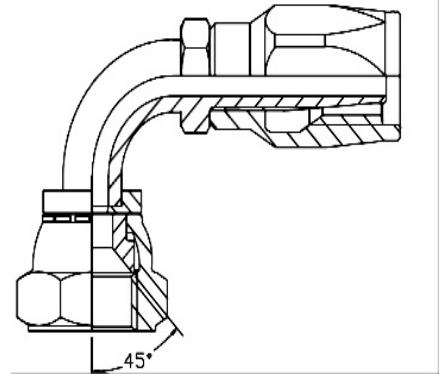


SAE

R5E41

SAE FEMALE SWEPT 90° FOR C5E
 SAE FEMALE 45° CONE CRIMPED NUT



Part Number	SAE Female Thread (T)	Nominal Hose I.D - inches	Nominal Hose I.D - mm	True Hose I.D - inches	True Hose I.D - mm	Dash size	Hex A/F (E)	Drop (H)	Cutoff - C
R5E41-100 6	5/8-18	3/8	9.5		8	6	19	21.3	34.5
R5E41-171 2	1.1/16-14	3/4	19		15.9	12	31.8	46	62