

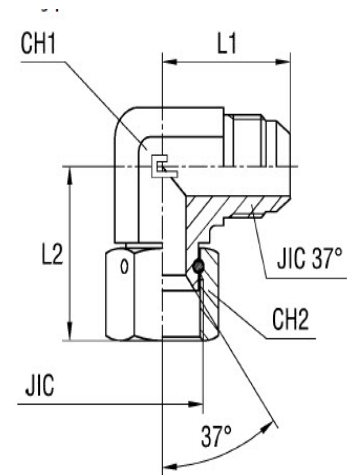
90 DEGREE ADAPTORS

SG-J-90

JIC MALE X JIC FEMALE

JIC MALE X JIC FEMALE SWIVEL NUT 90° ELBOW

- ISO 8434-2



Part Number	JIC Male Thread (A)	JIC Female Thread (JIC)	L1 - mm	L2 - mm	Hex A/F (CH1)	Hex A/F (CH2)
SG-J-90-0707	7/16-20	7/16-20	23	27	11	14
SG-J-90-0909	9/16-18	9/16-18	28	31	14	19
SG-J-90-1212	3/4-16	3/4-16	32	36	19	22
SG-J-90-1414	7/8-14	7/8-14	37	42	22	27
SG-J-90-1717	1.1/16-12	1.1/16-12	42	44	27	32
SG-J-90-2121	1.5/16-12	1.5/16-12	46	51.4	33	41