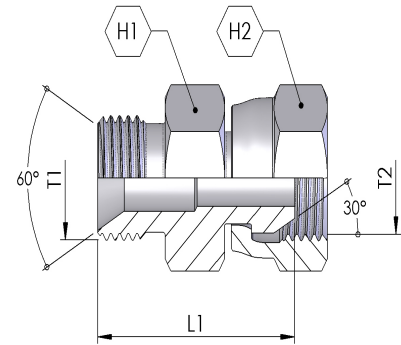


## STRAIGHT ADAPTORS

### B-C

BSP MALE X BSP FEMALE  
 BSP 60° CONE MALE X BSP 60° CONE FEMALE  
 SWIVEL NUT STRAIGHT

- ISO 8434-6



Part Number	T1	T2	H1 (mm)	H2 (mm)	L1 (mm)	PN (bar)
B-C-0404	1/4-19	1/4-19	19	19	31	400
B-C-0606	3/8-19	3/8-19	22	22	35	400
B-C-0608	3/8-19	1/2-14	22	27	42	350
B-C-0806	1/2-14	3/8-19	27	22	42	350
B-C-0808	1/2-14	1/2-14	27	27	41	350
B-C-0812	1/2-14	3/4-14	27	32	49	315
B-C-1212	3/4-14	3/4-14	32	32	45	315
B-C-1216	3/4-14	1-11	32	41	46	250
B-C-1612	1-11	3/4-14	41	32	49	250
B-C-1616	1-11	1-11	41	41	51	250
B-C-1620	1-11	1.1/4-11	41	50	53	200
B-C-2016	1.1/4-11	1-11	50	41	52	200
B-C-2020	1.1/4-11	1.1/4-11	50	50	55	200
B-C-2424	1.1/2-11	1.1/2-11	55	55	64	160