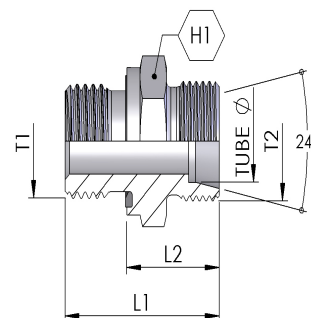


STRAIGHT ADAPTORS

BX-ML

BSP STUD X MET LIGHT MALE
 BSP STUD CAPTIVE SEAL X METRIC 24° CONE
 LIGHT MALE STRAIGHT

- ISO 8434-1



Part Number	BSP Male Thread - G	Metric Male Thread	Suits Tube Diameter (mm)	L1 (mm)	L2 (mm) - mm	L3 (mm) - mm	CH1 (mm)	PN (bar)
BX-ML-0212	1/8-28	M12-1.5	6	15.5	8.5	8	14	500
BX-ML-0214	1/8-28	M14-1.5	8	16.5	9.5	8	14	500
BX-ML-0216	1/8-28	M16-1.5	10	17.5	10.5	8	17	500
BX-ML-0412	1/4-19	M12-1.5	6	18	11	12	19	500
BX-ML-0414	1/4-19	M14-1.5	8	17	10	12	19	500
BX-ML-0416	1/4-19	M16-1.5	10	18	11	12	19	500
BX-ML-0418	1/4-19	M18-1.5	12	19	12	12	19	400
BX-ML-0612	3/8-19	M12-1.5	6	18.5	11.5	12	22	400
BX-ML-0614	3/8-19	M14-1.5	8	18.5	11.5	12	22	400
BX-ML-0616	3/8-19	M16-1.5	10	22.5	15	12	22	400
BX-ML-0618	3/8-19	M18-1.5	12	24.5	17	12	22	400
BX-ML-0622	3/8-19	M22-1.5	15	20.5	13.5	12	24	400
BX-ML-0814	1/2-14	M14-1.5	8	19	12	14	27	400
BX-ML-0816	1/2-14	M16-1.5	10	20	13	14	27	400
BX-ML-0818	1/2-14	M18-1.5	12	20	13	14	27	400
BX-ML-0822	1/2-14	M22-1.5	15	21	14	14	27	400
BX-ML-0826	1/2-14	M26-1.5	18	22	14.5	14	27	400
BX-ML-0830	1/2-14	M30-2	22	24	16.5	14	32	250
BX-ML-1222	3/4-14	M22-1.5	15	22	15	16	32	250
BX-ML-1226	3/4-14	M26-1.5	18	22	14.5	16	32	250
BX-ML-1230	3/4-14	M30-2	22	24	16.5	16	32	250
BX-ML-1236	3/4-14	M36-2	28	25	17.5	16	41	250
BX-ML-1630	1-11	M30-2	22	25	17.5	18	41	250
BX-ML-1636	1-11	M36-2	28	25	17.5	18	41	250
BX-ML-1645	1-11	M45-2	35	28	17.5	18	46	250
BX-ML-2045	1.1/4-11	M45-2	35	28	17.5	20	50	250
BX-ML-2052	1.1/4-11	M52-2	42	30	19	20	55	250
BX-ML-2452	1.1/2-11	M52-2	42	30	19	22	55	250