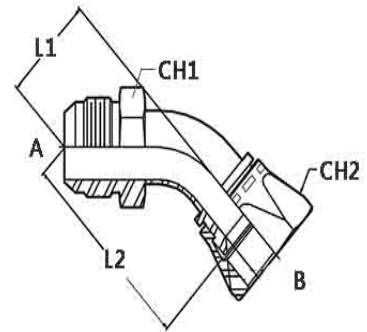


45 DEGREE ADAPTORS

G-J-45S

JIC MALE X JIC FEMALE

JIC MALE X JIC FEMALE SWIVEL NUT 45° SWEPT



Part Number	JIC Male Thread (A)	JIC Female Thread (B)	L1 (mm)	L2 (mm)	Hex A/F - CH1 (mm)	Hex A/F - CH2 (mm)	PN (bar)
G-J-45S-0707	7/16-20	7/16-20	29.3	30.9	12.6	14.3	350
G-J-45S-0909	9/16-18	9/16-18	30	41.8	15.9	17.5	350
G-J-45S-1212	3/4-16	3/4-16	39	43.1	20.6	22.2	310
G-J-45S-1414	7/8-14	7/8-14	39.9	50.9	23.8	25.4	240
G-J-45S-1717	1.1/16-12	1.1/16-12	48.6	62.5	28.6	31.8	240