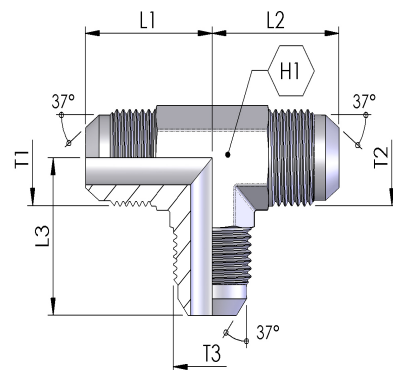


TEE ADAPTORS

G-G-G

JIC MALE X JIC MALE X JIC MALE
 JIC MALE X JIC MALE X JIC MALE TEE

- ISO 8434-2



Part Number	T1	T2	T3	H1 (mm)	L1 (mm)	L2 (mm)	L3 (mm)	PN (bar)
G-G-G-070707	7/16-20	7/16-20		11	25	25	25	350
G-G-G-080808	1/2-20	1/2-20		14	26	26	26	350
G-G-G-090909	9/16-18	9/16-18		14	27	27	27	350
G-G-G-121212	3/4-16	3/4-16		19	32	32	32	310
G-G-G-121214	3/4-16	3/4-16		22.2	35	35	38	240
G-G-G-121217	3/4-16	3/4-16		28.6	38	38	44	240
G-G-G-141414	7/8-14	7/8-14		22	38	38	38	240
G-G-G-171712	1.1/16-12	1.1/16-12		27	44	44	38	240
G-G-G-171714	1.1/16-12	1.1/16-12		28.6	44	44	41	240
G-G-G-171717	1.1/16-12	1.1/16-12		27	44	44	44	240
G-G-G-212121	1.5/16-12	1.5/16-12		33	49	49	49	210
G-G-G-262626	1.5/8-12	1.5/8-12		41	57	57	57	170
G-G-G-303030	1.7/8-12	1.7/8-12		48	63	63	63	140