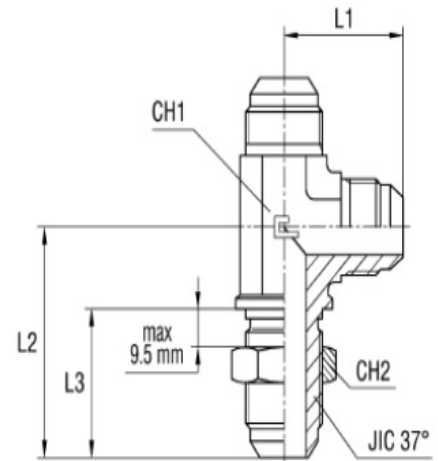


## TEE ADAPTORS

### G-GK-G

JIC MALE X JIC BULKHEAD X JIC MALE  
 JIC MALE X JIC MALE BULKHEAD X JIC MALE RUN  
 TEE



Part Number	JIC Male Thread	JIC Male Thread	JIC Male Thread	L1 (mm)	L2 (mm)	L3 (mm)	Hex A/F - CH1 (mm)	Hex A/F - CH2 (mm)	PN (bar)
G-GK-G-070707	7/16-20	7/16-20		24.6	40.4	24.6	11.1	17.5	350
G-GK-G-090909	9/16-18	9/16-18		27.7	46	27.7	14.3	20.6	350
G-GK-G-121212	3/4-16	3/4-16		34.5	53.6	34.5	19.1	25.4	310
G-GK-G-141414	7/8-14	7/8-14		39.6	60.7	39.6	22.2	28.6	240
G-GK-G-171717	1.1/16-12	1.1/16-12		45.2	67.8	45.2	27	34.9	240
G-GK-G-212121	1.5/16-12	1.5/16-12		50.2	70.6	50.5	32.7	40.8	210