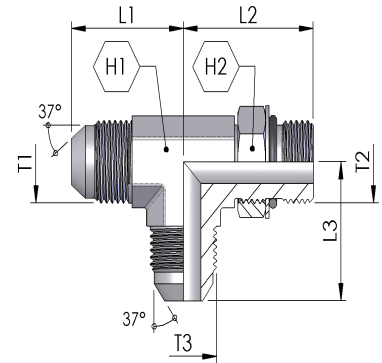


## TEE ADAPTORS

### G-NP-G

JIC MALE X UNO ADJUSTABLE X JIC MALE  
 JIC MALE X UNO ADJUSTABLE STUD X JIC MALE  
 RUN TEE

- ISO 8434-2



Part Number	T1/T3	T2	L1 (mm)	L2 (mm)	L3 (mm)	H1 (mm)	H2 (mm)	PN (bar)
G-NP-G-070707	7/16-20	7/16-12	22.6	26.2	22.6	11	14	315
G-NP-G-090909	9/16-18	9/16-18	26.9	31.7	26.9	14	18	250
G-NP-G-121212	3/4-16	3/4-16	31.7	36.9	31.7	19	22	250
G-NP-G-141414	7/8-14	7/8-14	36.9	43.2	36.9	22	25	200
G-NP-G-171717	1.1/16-12	1.1/16-12	42.2	45.2	42.2	27	32	200
G-NP-G-212121	1.5/16-12	1.5/16-12	46	52	46	33.3	38.1	160
G-NP-G-262626	1.5/8-12	1.5/8-12	52.3	57.2	52.3	41.3	47.6	125