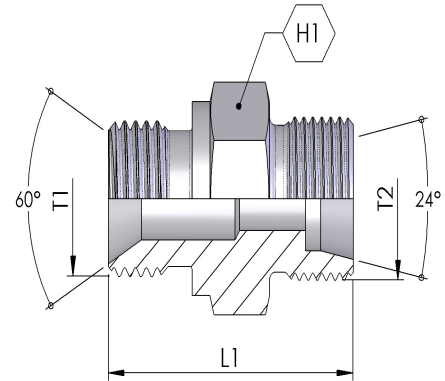


STRAIGHT ADAPTORS

B-MS

BSP MALE X MET HEAVY MALE
 BSP 60° CONE MALE X METRIC 24° CONE HEAVY
 MALE STRAIGHT

- For BSP Stud Ends Refer BX-MS series



Part Number	BSP Male Thread - T1	Metric Male Thread - T2	Suits Tube Diameter (mm)	L1 (mm)	H1 (mm)	PN (bar)
B-MS-0414	1/4-19	M14-1.5	6	32	19	630
B-MS-0416	1/4-19	M16-1.5	8	34	19	630
B-MS-0616	3/8-19	M18-1.5	8	34.5	22	630
B-MS-0618	3/8-19	M18-1.5	10	34.5	22	630
B-MS-0620	3/8-19	M20-1.5	12	36.5	22	630
B-MS-0818	1/2-14	M18-1.5	10	39	27	630
B-MS-0820	1/2-14	M20-1.5	12	39	27	630
B-MS-0822	1/2-14	M22-1.5	14	41	27	630
B-MS-0824	1/2-14	M24-1.5	16	41	27	400
B-MS-1230	3/4-14	M30-2	20	47	32	400
B-MS-1236	3/4-14	M36-2	25	51	41	400
B-MS-1636	1-11	M36-2	25	53	41	400
B-MS-1642	1-11	M36-2	30	55	41	400