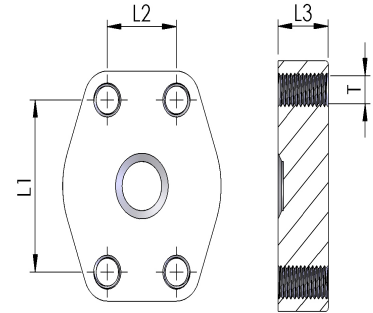


SAE FLANGE ADAPTORS

VBC

SAE CODE 61 COMPANION BLANKING PLATE



Part Number	NOMINAL SAE FLANGE SIZE	C	D	E	F	H	SUITS METRIC BOLTS
VBC-40	2.1/2	88.9	114	50.8	105	20	M10-1.5 x 35
VBC-48	3	106.4	134	61.9	124	24	M10-1.5 x 35