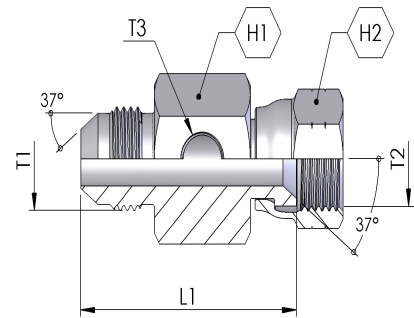


TEST POINTS

G-J-FP

JIC IN-LINE TEST POINT

JIC MALE X FEMALE W. BSPP PORT ON HEX



Part Number	JIC Thread (T1 & T2)	BSPP Female Thread (T3)	L1 - mm	Hex A/F (H1)	Hex A/F (H2)
G-J-FP-070702	7/16-20	1/8-28	45	27	14
G-J-FP-090902	9/16-18	1/8-28	46	27	19
G-J-FP-121202	3/4-16	1/8-28	49	27	22
G-J-FP-141402	7/8-14	1/8-28	52	32	27
G-J-FP-171702	1.1/16-12	1/8-28	57	32	32