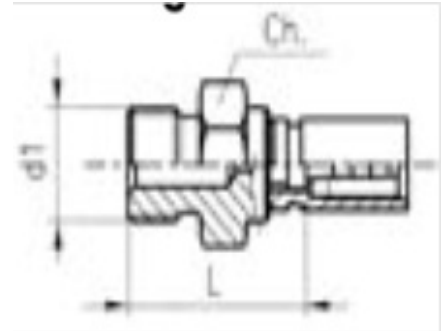


MINICHECK

SMC12

BSPP MALE STRAIGHT

BSPP FIXED MALE



Part Number	BSPP Male Thread	Hose I.D - mm	DIN	Hex A/F (CH1)	Cutoff mm (L1)	Max working Pressure - bar
SMC12-04M2	1/4-19	2	DN2	19	24.5	400