

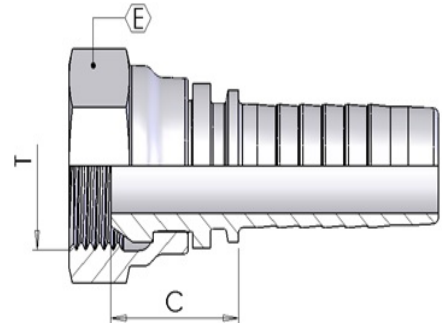
SWAGETAILED

SS05

JIC FEMALE STRAIGHT

JIC 37° FLARE FEMALE SWIVEL NUT STRAIGHT

- ISO 12151-5/SAE J516



Part Number	JIC Female Thread (T)	Hose I.D (Inches)	Hose I.D (mm)	Dash size	Hex A/F (E)	Cutoff - C
SS05-0703	7/16-20	3/16	4.8	3	14	14.5
SS05-0704	7/16-20	1/4	6.4	4	14	15
SS05-0804	1/2-20	1/4	6.4	4	17	16
SS05-0904	9/16-18	1/4	6.4	4	19	17
SS05-0906	9/16-18	3/8	9.5	6	19	17
SS05-1206	3/4-16	3/8	9.5	6	24	19
SS05-1208	3/4-16	1/2	12.7	8	24	19.5
SS05-1408	7/8-14	1/2	12.7	8	27	20.5
SS05-1410	7/8-14	5/8	15.9	10	27	20.5
SS05-1708	1.1/16-12	1/2	12.7	8	32	23.5
SS05-1710	1.1/16-12	5/8	15.9	10	32	21
SS05-1712	1.1/16-12	3/4	19	12	32	23
SS05-2112	1.5/16-12	3/4	19	19	41	22.7
SS05-2116	1.5/16-12	1	25.4	16	38	24.5
SS05-2616	1.5/8-12	1	25.4	16	41	23.7