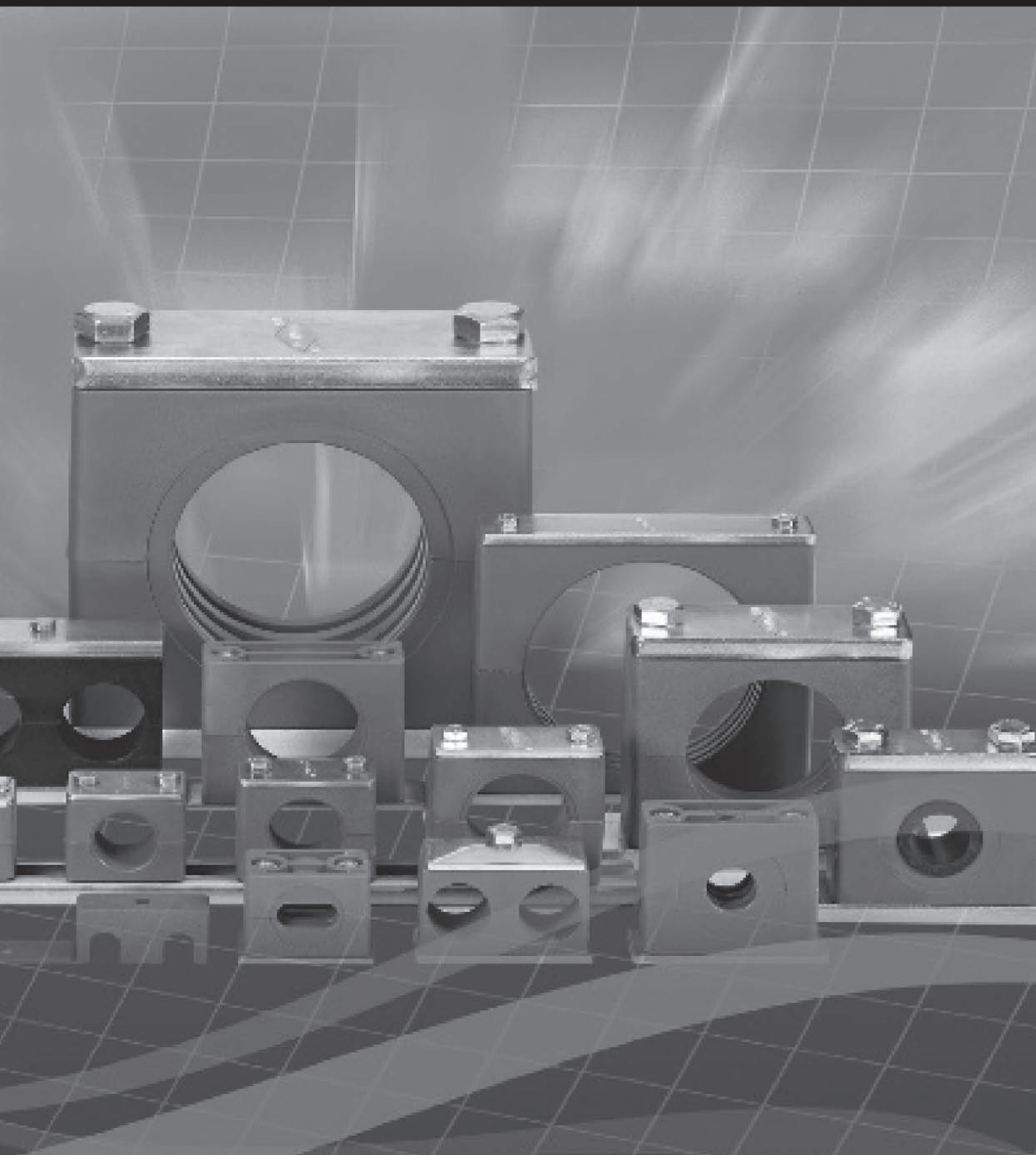


Tube Clamps

Section 14



GENERAL INFORMATION

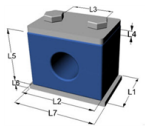
The Hydraulink range of tube clamps is available in four main series. For normal mechanical stress applications (up to approximately 200bar line pressure), clamps are available either as single or twin. For high mechanical stress applications (high pressure, flow or impulse) clamps are available either as single heavy duty or extra heavy duty.

For all series the clamp halves are identical and incorporate either a knurled or ribbed bore to absorb impact and vibration as well as provide high shear strength in the direction of the tube axis. Clamp halves are typically supplied in polypropylene, but are also available in fire-resistant polyamide or aluminium on request.

Clamp bolts, top plates and base plates are typically supplied in steel and finished with a silver trivalent chromium plating and clear sealant to further increase protection against corrosion, but are also available in AISI 316 stainless steel. Please contact Hydraulink for further details regarding alternative mounting systems such as stacking bolts, multiple clamp base plates and track rails.

All four series of tube clamp supplied by Hydraulink can be supplied to metric or imperial tube sizes (true O.D.) or to suit schedule 40, 80 or 160 pipe (nominal bore).

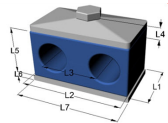
Hydraulink Fluid Connectors Ltd. reserves the right to discontinue, or to alter the design and specification of any product listed in this catalogue.

SINGLE TUBE CLAMPS


SINGLE TUBE CLAMPS
CS
 Page 14 - 3



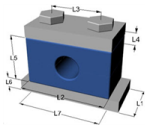
SINGLE TUBE CLAMPS
CS-C
 Page 14 - 4

DOUBLE TUBE CLAMPS


DOUBLE TUBE CLAMPS
CF
 Page 14 - 5



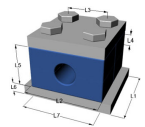
DOUBLE TUBE CLAMPS
CF-C
 Page 14 - 6

HEAVY DUTY SINGLE TUBE CLAMPS


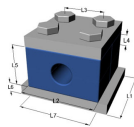
HEAVY DUTY SINGLE
 TUBE CLAMPS
CP
 Page 14 - 7



HEAVY DUTY SINGLE
 TUBE CLAMPS
CP-C
 Page 14 - 8

HEAVY DUTY DOUBLE TUBE CLAMPS


HEAVY DUTY DOUBLE
 TUBE CLAMPS
CPD-C
 Page 14 - 8



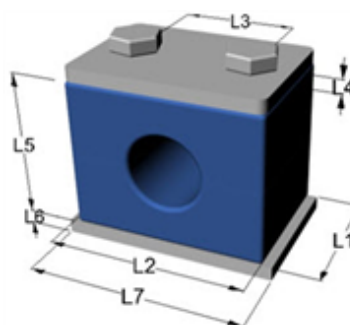
HEAVY DUTY DOUBLE
 TUBE CLAMPS
CPD
 Page 14 - 9

SINGLE TUBE CLAMPS

CS

SINGLE TUBE CLAMPS COMPLETE SINGLE CLAMPS WITH POLYPROPYLENE INSERTS

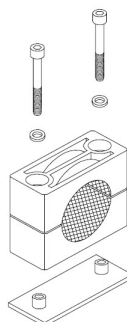
- *Nominal bore.
- **CS1 series clamps have only 1 bolt.



Part Number	Internal Bore - mm	Nominal Bore-Schedule Pipe	Internal Bore - imperial	L1 - mm	L2 - mm	L3 - mm	L4 - mm	L5 - mm	L6 - mm	L7 - mm
CS2-04C	6.5		1/4	30	37	20	3	28	3	41
CS2-06C	9.52		3/8	30	37	20	3	28	3	41
CS2-08C	12.7		1/2	30	37	20	3	28	3	41
CS2-M10C	10	1/8		30	37	20	3	28	3	41
CS2-M12C	12			30	37	20	3	28	3	41
CS2-M8C	8		5/16	30	37	20	3	28	3	41
CS3-10C	16	-	5/8	30	43	26	3	33	3	47
CS3-M14C	14			30	43	26	3	33	3	47
CS3-M15C	15			30	43	26	3	33	3	47
CS3-M18C	18			30	43	26	3	33	3	47
CS4-12C	19		3/4	30	50	33	3	36	3	54
CS4-16C	25.4		1	30	50	33	3	36	3	54
CS4-M20C	20			30	50	33	3	36	3	54
CS4-M22C	22		7/8	30	50	33	3	36	3	54
CS5-20C	32		1.1/4	30	57	40	3	44	3	61
CS5-H12C	26.9	3/4		30	57	40	3	44	3	61
CS5-M28C	28			30	57	40	3	44	3	61
CS5-M30C	30			30	57	40	3	44	3	61
CS6-24C	38	-	1.1/2	30	70	52	3	57	3	73
CS6-H16C	33.7	1		30	70	52	3	57	3	73
CS6-H20C	42.4	1.1/4		30	70	52	3	57	3	73
CS6-M35C	35			30	70	52	3	57	3	73
CS6-M45C	45	-	-	30	70	52	3	57	3	73
CS7-32C	50.8		2	30	86	66	3	66	3	88
CS7-H28C	54	1.3/4	-	30	86	66	3	66	3	88
CS1-M8C	8		5/16	30	28	N/A**	3	28	3	32

SINGLE TUBE CLAMPS
CS-C
**SINGLE TUBE CLAMPS
 COMPLETE SINGLE CLAMPS WITH POLYPROPYLENE
 INSERTS**

- When ordering stainless steel componentry type XBP for stainless base plate, XTP for stainless top plate, XHB for stainless hex bolt.
- *Cap screw and washer are to be used without the top plate.



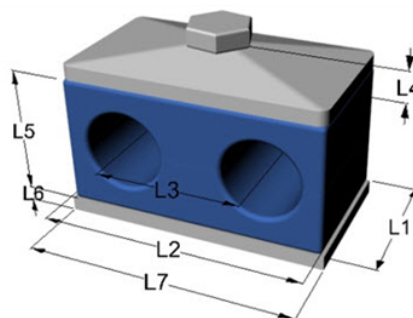
Complete Clamp	Clamp Insert	Top Plate	Base Plate	Hex Bolt	Hex Bolt size
CS1-M8C	CS1-M8	CS1-TP	CS1-BP	CS1/2-HB	M6 X 30
CS2-04C	CS2-04	CS2-TP	CS2-BP	CS1/2-HB	M6 X 30
CS2-06C	CS2-06	CS2-TP	CS2-BP	CS1/2-HB	M6 X 30
CS2-08C	CS2-08	CS2-TP	CS2-BP	CS1/2-HB	M6 X 30
CS2-M10C	CS2-M10	CS2-TP	CS2-BP	CS1/2-HB	M6 X 30
CS2-M12C	CS2-M12	CS2-TP	CS2-BP	CS1/2-HB	M6 X 30
CS2-M8C	CS2-M8	CS2-TP	CS2-BP	CS1/2-HB	M6 X 30
CS3-10C	CS3-10	CS3-TP	CS3-BP	CS3-HB	
CS3-M14C	CS3-M14	CS3-TP	CS3-BP	CS3-HB	M6 X 35
CS3-M15C	CS3-M15	CS3-TP	CS3-BP	CS3-HB	M6 X 35
CS3-M18C	CS3-M18	CS3-TP	CS3-BP	CS3-HB	M6 X 35
CS4-12C	CS4-12	CS4-TP	CS4-BP	CS4-HB	M6 X 40
CS4-16C	CS4-16	CS4-TP	CS4-BP	CS4-HB	M6 X 40
CS4-M20C	CS4-M20	CS4-TP	CS4-BP	CS4-HB	M6 X 40
CS4-M22C	CS4-M22	CS4-TP	CS4-BP	CS4-HB	M6 X 40
CS5-20C	CS5-20	CS5-TP	CS5-BP	CS5-HB	M6 X 45
CS5-H12C	CS5-H12	CS5-TP	CS5-BP	CS5-HB	M6 X 45
CS5-M28C	CS5-M28	CS5-TP	CS5-BP	CS5-HB	M6 X 45
CS5-M30C	CS5-M30	CS5-TP	CS5-BP	CS5-HB	M6 X 45
CS6-24C	CS6-24	CS6-TP	CS6-BP	CS6-HB	
CS6-H16C	CS6-H16	CS6-TP	CS6-BP	CS6-HB	M6 X 60
CS6-H20C	CS6-H20	CS6-TP	CS6-BP	CS6-HB	M6 X 60
CS6-M35C	CS6-M35	CS6-TP	CS6-BP	CS6-HB	M6 X 60
CS6-M45C	CS6-M46	CS6-TP	CS6-BP	CS6-HB	
CS7-32C	CS7-32	CS7-TP	CS7-BP	CS7-HB	M6 X 70
CS7-H28C	CS7-28	CS7-TP	CS7-BP	CS7-HB	

TUBE CLAMPS

DOUBLE TUBE CLAMPS

CF

DOUBLE TUBE CLAMPS
 COMPLETE DOUBLE CLAMPS W. POLYPROPYLENE
 INSERTS



Part Number	Internal Bore - mm	Nominal Bore-Schedule Pipe	Internal Bore - imperial	L1 - mm	L2 - mm	L3 - mm	L4 - mm	L5 - mm	L6 - mm	L7 - mm
CF1-04C	6.35		1/4	30	36	20	7	27	3	37
CF1-06C	9.52		3/8	30	36	20	7	27	3	37
CF1-08C	12.7		1/2	30	36	20	7	27	3	37
CF1-M10C	10	1/8		30	36	20	7	27	3	37
CF1-M12C	12			30	36	20	7	27	3	37
CF1-M8C	8		5/16	30	36	20	7	27	3	37
CF2-08C	12.7		1/2	30	54	29	7	27	3	55
CF2-10C	16	-	5/8	30	54	29	7	27	3	55
CF2-M14C	14			30	54	29	7	27	3	55
CF2-M15C	15			30	54	29	7	27	3	55
CF2-M18C	18			30	54	29	7	27	3	55
CF3-12C	19		3/4	30	37	36	7	37	3	70
CF3-16C	25.4		1	30	37	36	7	37	3	70
CF3-M20C	20			30	37	36	7	37	3	70
CF3-M22C	22		7/8	30	37	36	7	37	3	70
CF4-M28C	28			30	81	45	7	42	3	85
CF4-M30C	30			30	81	45	7	42	3	85
CF5-20C	32		1 1/4	30	106	56	7	53	3	110
CF5-24C	38	-	1.1/2	30	106	56	7	53	3	110
CF5-M35C	35			30	106	56	7	53	3	110
CF5-M42C	42	-	-	30	106	56	7	53	3	110

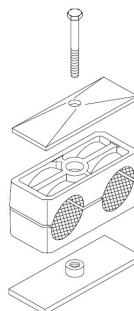
DOUBLE TUBE CLAMPS

CF-C

DOUBLE TUBE CLAMPS

COMPLETE DOUBLE CLAMPS W. POLYPROPYLENE INSERTS

- When ordering stainless steel componentry type XBP for stainless base plate, XTP for stainless top plate, XHB for stainless hex bolt.
- *Cap screw and washer are to be used without the top plate.



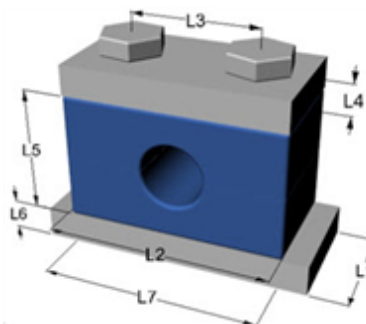
Complete Clamp	Clamp Insert	Top Plate	Base Plate	Hex Bolt	Hex Bolt size
CF2-10C	CF2-10	CF2-TP	CF2-BP	CF2-HB	M8 x 35
CF5-24C	CF5-24	CF5-TP	CF5-BP	CF5-HB	M8 x 65
CF5-M42C	CF5-M42	CF5-TP	CF5-BP	CF5-HB	M8 x 65
CF1-04C	CF1-04	CF1-TP	CF1-BP	CF1-HB	M6 X 35
CF1-06C	CF1-06	CF1-TP	CF1-BP	CF1-HB	M6 X 35
CF1-08C	CF1-08	CF1-TP	CF1-BP	CF1-HB	M6 X 35
CF1-M10C	CF1-M10	CF1-TP	CF1-BP	CF1-HB	M6 X 35
CF1-M12C	CF1-M12	CF1-TP	CF1-BP	CF1-HB	M6 X 35
CF1-M8C	CF1-M8	CF1-TP	CF1-BP	CF1-HB	M6 X 35
CF2-08C	CF2-08	CF2-TP	CF2-BP	CF2-HB	M8 X 35
CF2-M14C	CF2-M14	CF2-TP	CF2-BP	CF2-HB	M8 X 35
CF2-M15C	CF2-M15	CF2-TP	CF2-BP	CF2-HB	M8 X 35
CF2-M18C	CF2-M18	CF2-TP	CF2-BP	CF2-HB	M8 X 35
CF3-12C	CF3-12	CF3-TP	CF3-BP	CF3-HB	M8 X 45
CF3-16C	CF3-16	CF3-TP	CF3-BP	CF3-HB	M8 X 45
CF3-M20C	CF3-M20	CF3-TP	CF3-BP	CF3-HB	M8 X 45
CF3-M22C	CF3-M22	CF3-TP	CF3-BP	CF3-HB	M8 X 45
CF4-M28C	CF4-M28	CF4-TP	CF4-BP	CF4-HB	M8 X 50
CF4-M30C	CF4-M30	CF4-TP	CF4-BP	CF4-HB	M8 X 50
CF5-20C	CF5-20	CF5-TP	CF5-BP	CF5-HB	M8 X 65
CF5-M35C	CF5-M35	CF5-TP	CF5-BP	CF5-HB	M8 X 65

TUBE CLAMPS

HEAVY DUTY SINGLE TUBE CLAMPS

CP

HEAVY DUTY SINGLE TUBE CLAMPS
 COMPLETE SINGLE CLAMPS W. POLYPROPYLENE INSERTS



Part Number	Internal Bore - mm	Nominal Bore-Schedule Pipe	Internal Bore - imperial	L1 - mm	L2 - mm	L3 - mm	L4 - mm	L5 - mm	L6 - mm	L7 - mm
CP1S-08C	12.7		1/2	30	57	33	8	33	8	70
CP1S-10C	16		5/8	30	57	33	8	33	8	70
CP2S-12C	19		3/4	30	57	33	8	33	8	87
CP2S-16C	25.4		1	30	57	33	8	33	8	87
CP2S-H08C	21.3	1/2		30	57	33	8	33	8	87
CP2S-H12C	26.9	3/4		30	57	33	8	33	8	87
CP3S-20C	32		1.1/4	30	57	33	8	33	8	105
CP3S-24C	38		1.1/2	30	57	33	8	33	8	105
CP3S-H16C	33.7	1		30	57	33	8	33	8	105
CP3S-H20C	42.4	1.1/4		30	57	33	8	33	8	105
CP4S-32C	50.2	2		30	57	33	8	33	8	140
CP4S-H32C	60.3	2		30	57	33	8	33	8	140

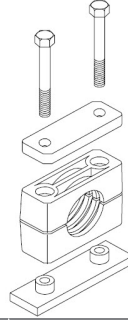
HEAVY DUTY SINGLE TUBE CLAMPS

CP-C

HEAVY DUTY SINGLE TUBE CLAMPS

COMPLETE SINGLE CLAMPS W. POLYPROPYLENE INSERTS

- When ordering stainless steel componentry type XBP for stainless base plate, XTP for stainless top plate, XHB for stainless hex bolt.
- *Cap screw and washer are to be used without the top plate.



Complete Clamp	Clamp Insert	Top Plate	Base Plate	Hex Bolt	Hex Bolt size
CP1S-08C	CP1S-08	CP1S-TP	CP1S-BP	CP1S-HB	M10 X 45
CP1S-10C	CP1S-10	CP1S-TP	CP1S-BP	CP1S-HB	M10 X 45
CP2S-12C	CP2S-12	CP2S-TP	CP2S-BP	CP2S-HB	M10 X 60
CP2S-16C	CP2S-16	CP2S-TP	CP2S-BP	CP2S-HB	M10 X 60
CP2S-H08C	CP2S-H08	CP2S-TP	CP2S-BP	CP2S-HB	M10 X 60
CP2S-H12C	CP2S-H12	CP2S-TP	CP2S-BP	CP2S-HB	M10 X 60
CP3S-20C	CP3S-20	CP3S-TP	CP3S-BP	CP3S-HB	M10 X 70
CP3S-24C	CP3S-24	CP3S-TP	CP3S-BP	CP3S-HB	M10 X 70
CP3S-H16C	CP3S-H16	CP3S-TP	CP3S-BP	CP3S-HB	M10 X 70
CP3S-H20C	CP3S-H20	CP3S-TP	CP3S-BP	CP3S-HB	M10 X 70
CP4S-32C	CP4S-32	CP4S-TP	CP4S-BP	CP4S-HB	M12 X 100
CP4S-H32C	CP4S-H32	CP4S-TP	CP4S-BP	CP4S-HB	M12 X 100

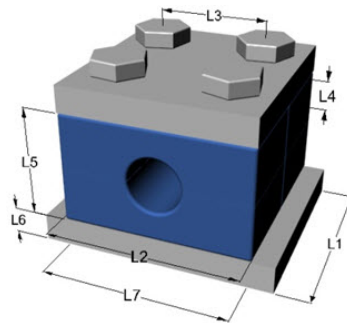
HEAVY DUTY DOUBLE TUBE CLAMPS

CPD-C

HEAVY DUTY DOUBLE TUBE CLAMPS

COMPLETE SINGLE CLAMPS W. POLYPROPYLENE INSERTS

- When ordering stainless steel componentry type XBP for stainless base plate, XTP for stainless top plate, XHB for stainless hex bolt.
- *Cap screw and washer are to be used without the top plate.



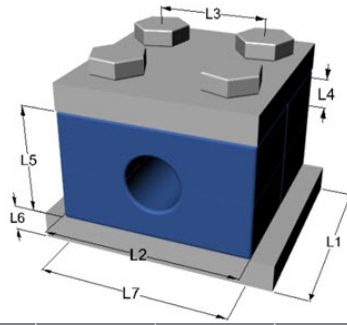
Part Number	Clamp Insert	Top Plate	Base Plate	Hex Bolt	Hex Bolt size
CP2D-12C	CP2D-12	CP2D-TP	CP2D-BP	CP2D-HB	M10 x 60
CP2D-16C	CP2D-16	CP2D-TP	CP2D-BP	CP2D-HB	M10 x 60
CP3D-20C	CP3D-20	CP3D-TP	CP3D-BP	CP3D-HB	M10 x 70
CP3D-24C	CP3D-24	CP3D-TP	CP3D-BP	CP3D-HB	M10 x 70
CP4D-32C	CP4D-32	CP4D-TP	CP4D-BP	CP4D-HB	M12 x 100

TUBE CLAMPS

HEAVY DUTY DOUBLE TUBE CLAMPS

CPD

HEAVY DUTY DOUBLE TUBE CLAMPS
 COMPLETE SINGLE CLAMPS W. POLYPROPYLENE INSERTS



Part Number	Internal Bore - mm	Nominal Bore-Schedule Pipe	Internal Bore - imperial	L1 - mm	L2 - mm	L3 - mm	L4 - mm	L5 - mm	L6 - mm	L7 - mm
CP2D-12C	19	-	3/4	60	69	45	8	49	8	87
CP2D-16C	25.4	-	1	60	69	45	8	49	8	87
CP3D-20C	32	-	1.1/4	60	84	60	8	60	8	105
CP3D-24C	38	-	1.1/2	60	84	60	8	60	8	105
CP4D-32C	50.8	-	2	90	117	91	10	88	10	140